

OVAL EcoDesign

PANADERO

PRODUCT PLUS

ECODESIGN 2022



EXTERNAL AIR INTAKE



VERMICULITE LINING



DOUBLE STEEL BODY SHEET 4 + 2,5 MM



WOOD LOG STORAGE



CLEAN GLASS SYSTEM



TRIPLE COMBUSTION



WOOD LOGS 50 CM



270 m³ HEATING VOLUME

MEASURES

DIMENSIONS H x W x D 1048x605x490 mm

GROSS/NET WEIGHT 142/131 kg

FIREWOOD ENTRANCE 355x440 mm

SMOKE FLUE Ø 150-153 mm Top

CHARACTERISTICS

CAST IRON GRILL

NOMINAL HEAT OUTPUT 8,7 KW

EFFICIENCY 80,7 %

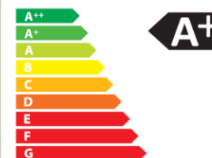
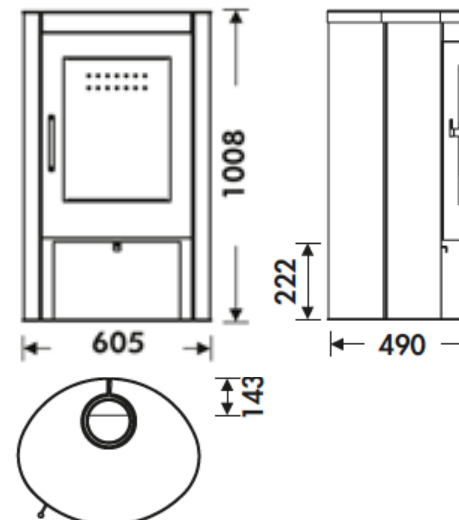
CO EMISSIONS 0,10 %

HEAT RESISTANT PAINT 800°C

CERAMIC GLASS HEAT RESISTANCE 750°C

EAN 8426964183009

REF. PANADERO 18300



Le label du chauffage au bois



OVAL